



PHONE: (434) 295-3101
 FAX: (434) 977-1849

MC49VVTT

MINIATURE CRYSTAL OVEN SPECIFICATION

This specification defines the operating characteristics of a component heater. Long term reliability and stability are assured through use of premium components.

REV	DESCRIPTION OF REVISION	BY	APV	DATE
-	Redrawn on new form was dwg. 115-038.	BTG	TST	02-24-2004

This M43VVTT specification covers input voltages from +5 VDC to +28 VDC and set point temperatures from +35°C to +95°C. The VV in the part number specifies the nominal operating voltage. If the voltage is less than +10 VDC, use a leading zero (i.e. for +5 VDC use VV = 05). The TT in the part number specifies the set point temperature in °C (i.e. for +75°C use TT = 75). VV and TT are used in this specification to describe the operation of this oven.

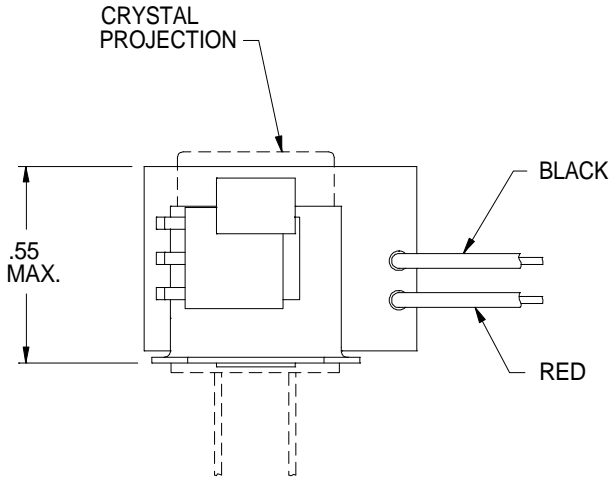
1. TEMPERATURE
 - 1.1. Set point +TT °C (Customer specified)
(+35°C to +95°C)
 - 1.2. Initial tolerance < ±3°C @ +25°C
2. STABILITY
 - 2.1. Ambient < ±5°C from -30°C to (TT-10)°C
 - 2.2. Voltage < ±0.5°C/±10% change
 - 2.3. Warm-up < ±1°C in 2 minutes @ +25°C
(referenced to temperature
at 15 minutes)
3. INPUT POWER
 - 3.1. Voltage +VV VDC (Customer specified)
(+5 VDC to +28 VDC)
 - 3.2. Voltage tolerance ±10%
 - 3.3. Power
 - a. At turn on < 6 Watts @ +25°C
 - b. Slope * -0.03 Watts/°C typical

To calculate the typical steady state power
use the following formula.
 $P_{ss} = (TT - \text{ambient temperature of unit})^\circ\text{C} \times 0.03 \text{ (Watts)}$
4. MECHANICAL
 - 4.1. Heated cavity holds
the following crystals HC-18/U, HC-25/U,
HC-42/U, HC-43/U,
HC-49/U, and HC-50/U
 - 4.2. Applicable series MC49 series
 - 4.3. Model number MC49VVTT (Customer specified)
 - 4.4. Outline drawing 125-382

* In still air.

See ISOTEMP application note 146-003 for design considerations.

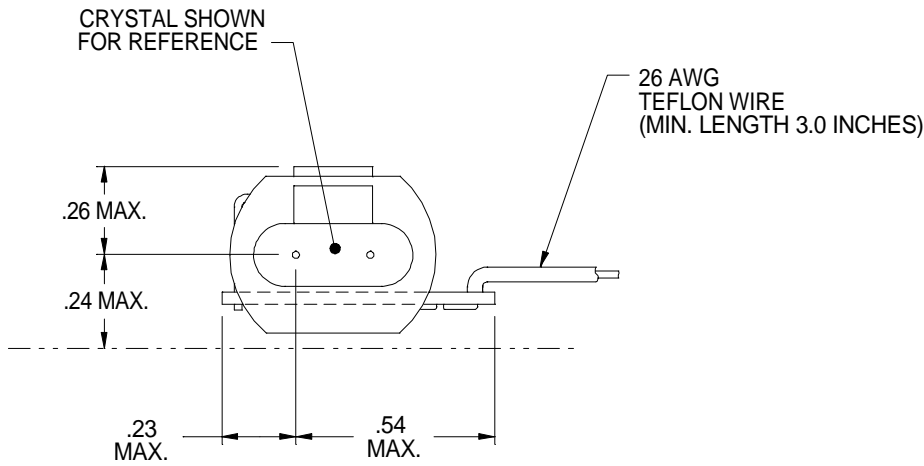
CHARLOTTESVILLE, VA USA www.isotemp.com	CODE ID	MODEL NO.	PAGE OF TOTAL		DWG. NO.	REV
	31785	MC49VVTT	1	1	114-1184	-



WIRE	FUNCTION
RED	+ VDC
BLACK	0 VDC

PART NUMBER: MC49V VTT

VV = VOLTAGE DC
 TT = SET POINT
 TEMPERATURE (°C)



FORM NO. 120-081D



OSCILLATORS

CHARLOTTESVILLE, VIRGINIA

NAME: OUTLINE DRAWING
 (MC49 SERIES)

CODE I.D. NO.
31785

SCALE: 2:1

DATE: 12-24-91

DWN. BY: WEW

APPR'D. BY: TST

B REDRAWN - NEW FORM

LRB DAG 05-18-00

TOLERANCES

UNLESS OTHERWISE SPECIFIED:
 ANGLES: ±1 DEGREE
 FRACTIONS: ±1/32 INCH
 DECIMALS: .XX ±.015, .XXX ±.010

MAT'L:

FINISH:

MARK:

LET REVISION

BY APP DATE

REV: B
 DWG: 125-382
 SHT: 1 OF 1